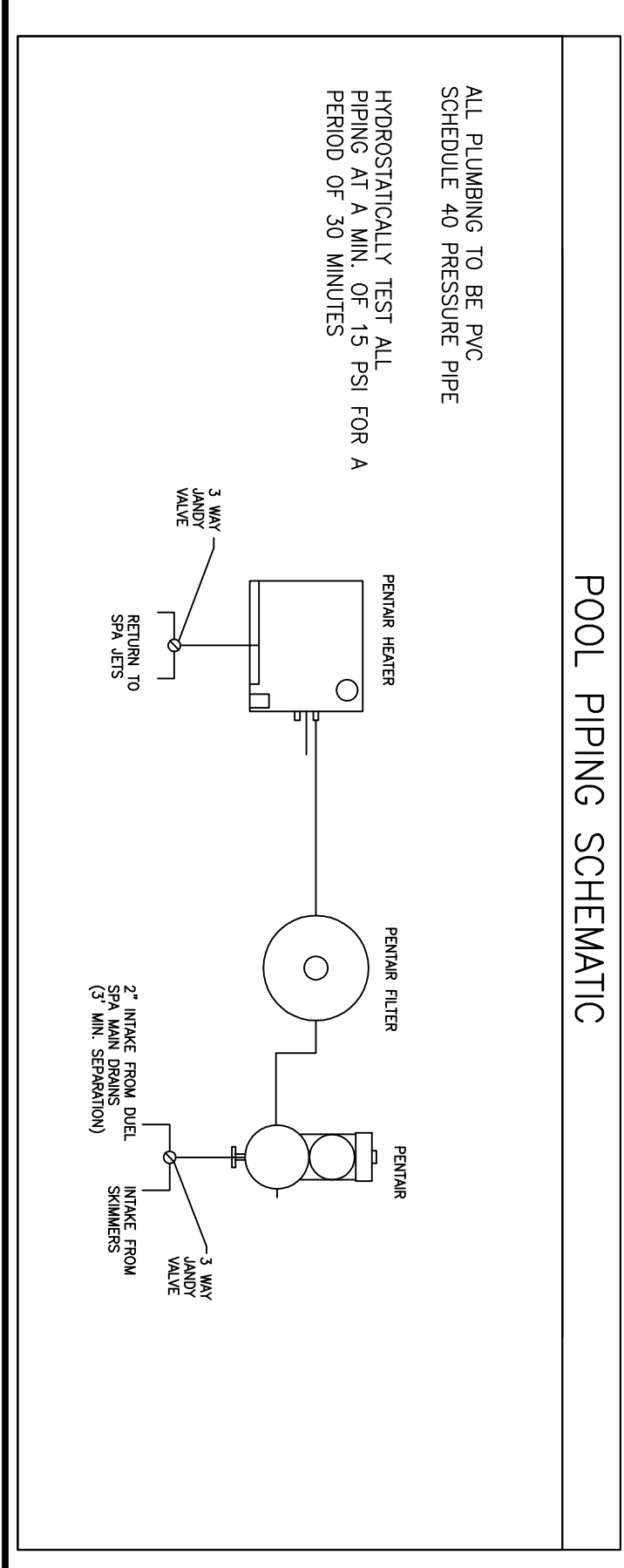
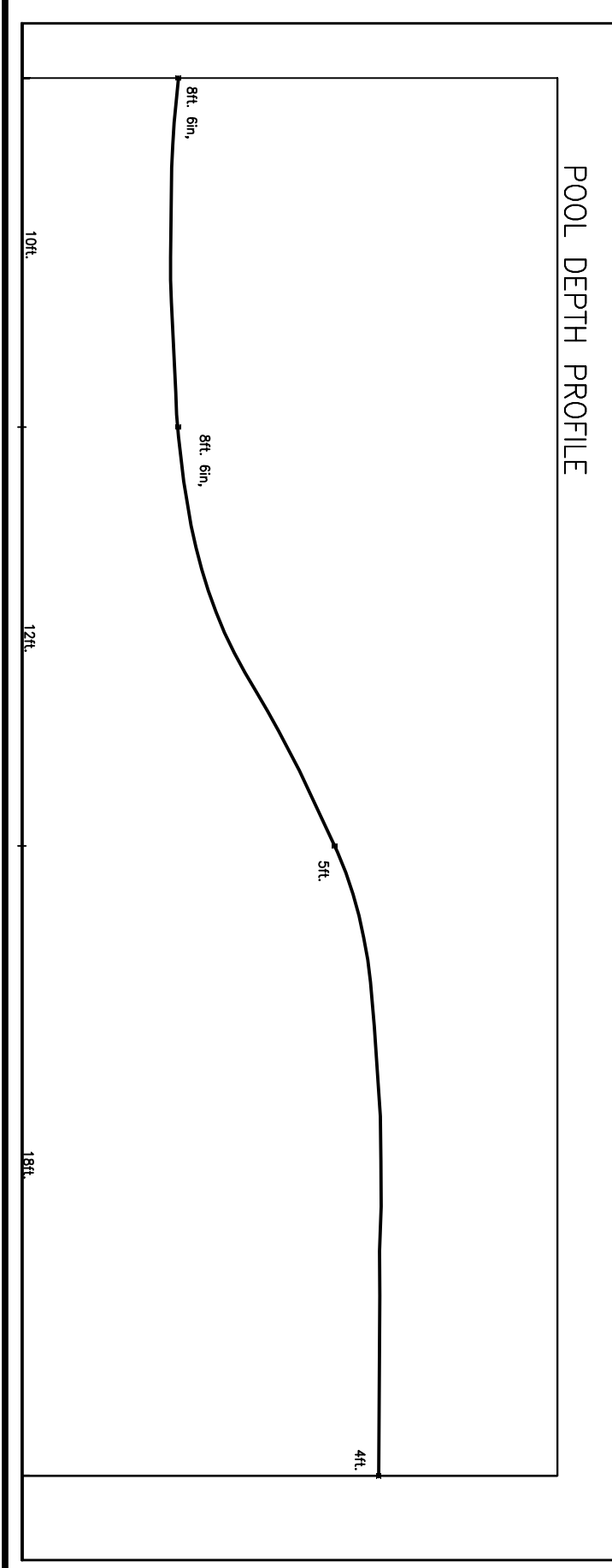
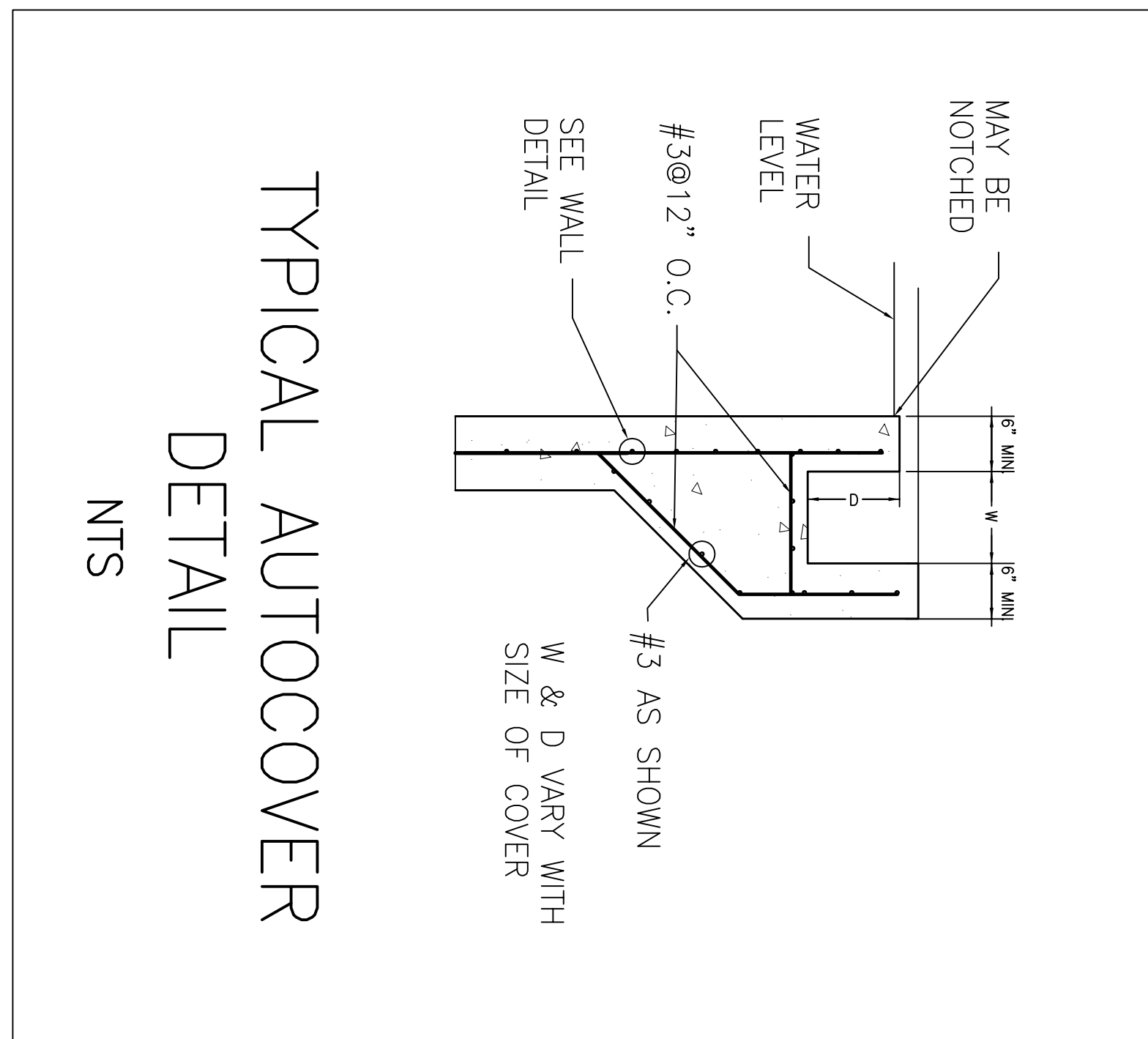
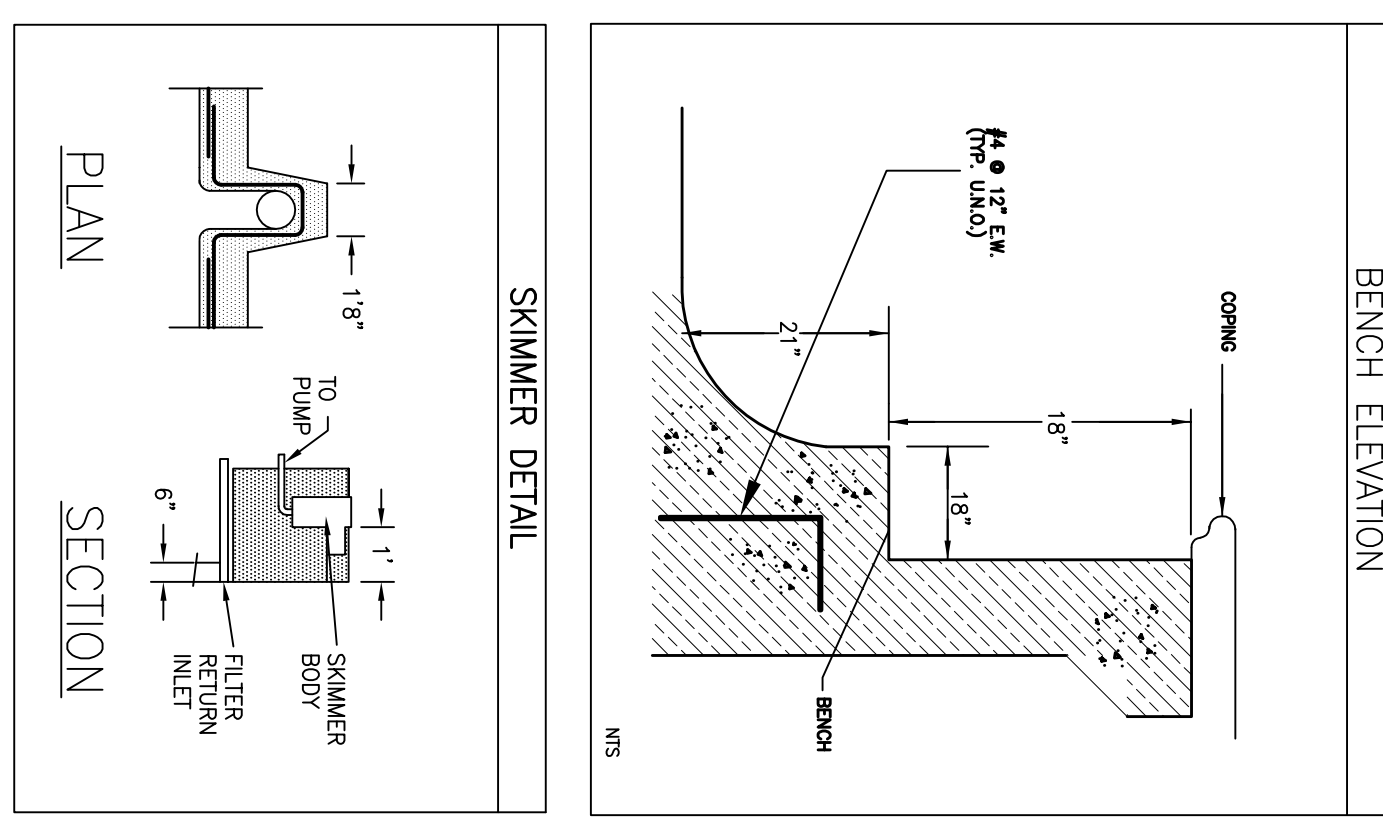
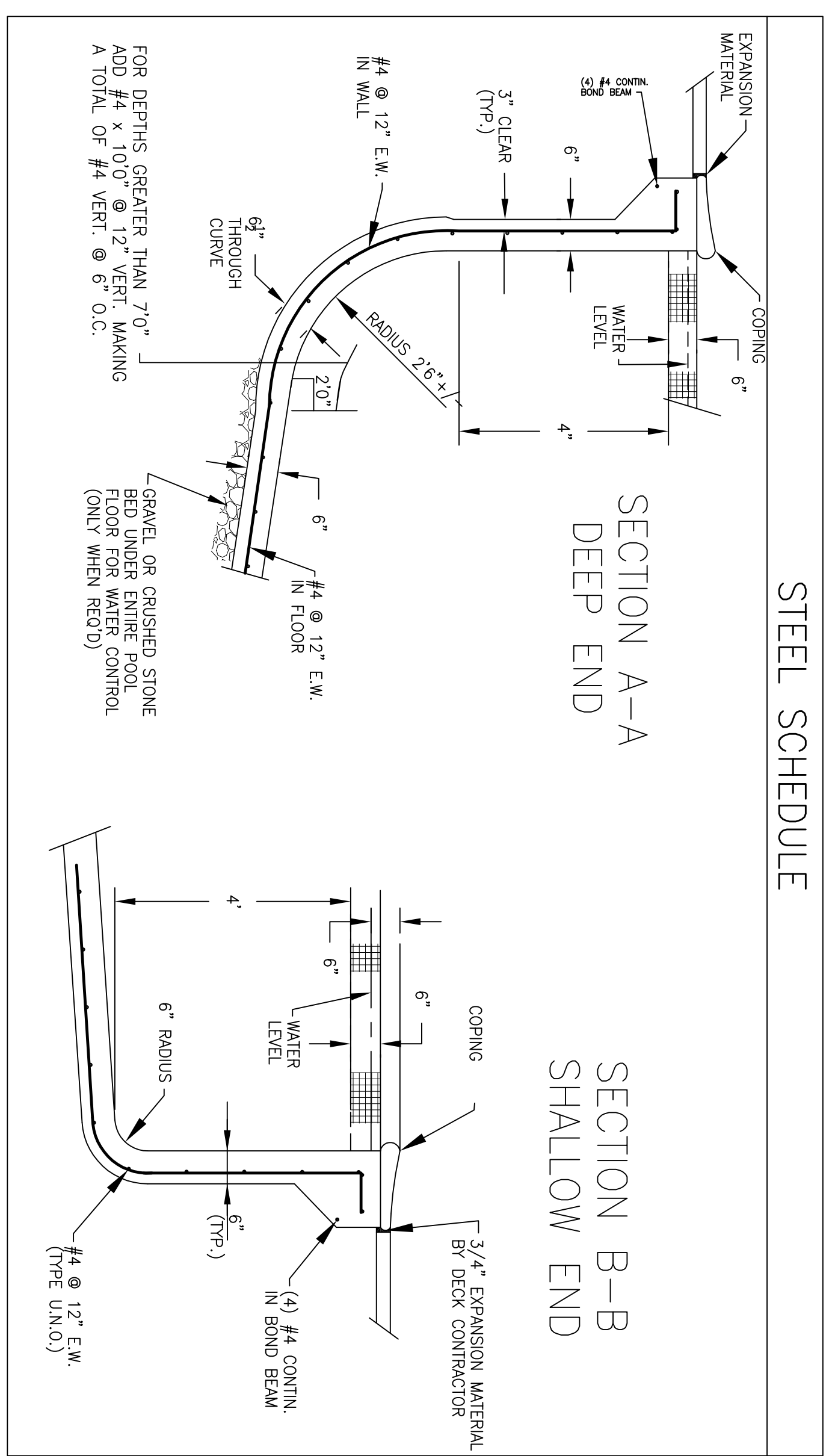


EXTEND CLAMPED #4 REINFORCING STEEL 2.0" OUTSIDE OF POOL SHELL SO POOL CAN BE EQUIPOTENTIALLY BONDED AS PER NEC (TYP. 4 LOCATIONS)

PLAN
DEPTH 4' TO 8' 6"
ANSI/NSPI-5 2003 TYPE 3 - DIVING POOL
SCALE - 1/4" = 1' 0"



R.I. POOLS INC.
24 MERWIN STREET
NORWALK, CT 06850
203-838-0798

SIHO HAM
WESTPORT, CONNECTICUT
GRUJMAN ENGINEERING L.L.C.
CONSULTING CIVIL ENGINEERS
20 KNIGHT STREET, NORWALK, CONNECTICUT 06851
PH: (203) 853-3833 FAX: (203) 288-9597

NOTES:

- 1) POOL HAS BEEN DESIGNED AND TO BE CONSTRUCTED PER THE 2018 CT STATE CODE WHICH COMPLES TO 2015 INTERNATIONAL RESIDENTIAL CODE & TO APSP 5 AS PER SECTION 526.1 AMERICAN NATIONAL STANDARD FOR RESIDENTIAL INGROUND POOLS.
- 2) SWIMMING POOL IS ANSI/ NSPI - TYPE 3 - DIVING POOL.
- 3) THE FOLLOWING BUILDING CODE REQUIREMENTS SHALL BE ADHERED TO:
 - OUTDOOR SWIMMING POOL BARRIER PER SECTION R326.1.
 - TEMPORARY ENCLOSURE PER SECTION R326.6.5.
 - POOL ALARM AS PER SECTION R326.6.6.
 - APSP 5-14 NATIONAL STANDARD FOR PERMANENTLY INSTALLED RESIDENTIAL SPAS AND 5MM SPAS - R326.5.1.
 - APSP 7-15 AMERICAN NATIONAL STANDARD FOR SUCTION ENTRAPMENT AVOIDANCE IN SWIMMING POOLS, WADING POOL,5 SPAS, HOT TUBS AND CATCH BASINS - R326.7.
 - STANDARD PERFORMANCE SPECIFICATION FOR SAFETY COVERS AND LABELING REQUIREMENTS FOR ALL COVERS FOR SWIMMING POOLS, SPAS AND HOT TUBS ASTM F1346-91 (2010) SECTION R326.6.1 & R326.6.4.
- 4) CONTRACTORS INSTALLATION OF ELECTRICAL WORK INCLUDING BONDING SHALL COMPLY WITH THE CURRENT ADOPTED 2015 NATIONAL ELECTRIC CODE (NEC).
- 5) ALL PLUMBING WORK SHALL COMPLY WITH THE CURRENT CT ADOPTED CODE - 2012 INTERNATIONAL PLUMBING CODE.
- 6) POOLS ARE TO BE EQUIPPED WITH AN APPROVED POOL ALARM WHICH IS CAPABLE OF DETECTING A CHILD ENTERING THE WATER AND GIVING AN AUDIBLE ALARM, AS PER SECTION 526.6.6.
- 7) DOOR ALARMS WILL MEET UL 2017 - AS PER SECTION 526.6.1-9.2.

STRUCTURAL NOTES:

- 1) CONCRETE SHALL BE PLACED ON NATURAL SOIL (1500 P.S.F.) OR WELL DRAINING GRANULAR TYPE COMPACTED FILL.
- 2) POOL STRUCTURAL IS DESIGNED IN ACCORDANCE WITH THE AMERICAN CONCRETE INSTITUTE (ACI) STANDARD FOR BUILDING CODE REQUIREMENTS FOR REINFORCED CONCRETE - 318" .
- 3) ALL STEEL REINFORCING SHALL BE OF DEFORMED BARS COMPLYING WITH ASTM A615 LAP BARS A MINIMUM OF 15" .
- 4) CONCRETE SHALL BE MECHANICALLY PLACED GRADE "1" P. COMPRESSIVE STRENGTH MIN. 3500 P.S.I AT 28 DAYS. MIX CONSISTING OF PORTLAND CEMENT, FINE SAND AGGREGATES, CORSE CRUSHED STONE AGGREGATES & WATER SHALL BE PROPORTIONED BY QUALITY CONTROL IN A CERTIFIED CONCRETE PLANT.

GENERAL NOTES:

- 1) POOL CLEARANCES TO BUILDINGS AND PROPERTY LINES SHALL BE IN ACCORDANCE WITH LOCAL AND STATE REQUIREMENTS.
- 2) THIS PLAN DOES NOT INCLUDE POOL LOCATION ON PROPERTY, GRADING, FENCING, WALLS OR OTHER SITE INFORMATION.
- 3) ALL CONSTRUCTION SHALL BE DONE IN ACCORDANCE WITH ALL LOCAL AND STATE REGULATIONS.
- 4) CONTRACTORS SHALL VERIFY BURIED UTILITIES WITHIN SURROUNDS OF INSTALLATION AREA.