

FCE Project #	2185	Date Performed:	5/9/2023
Client:	ELR Morgan LLC		
Location:	1A Plunkett Place, Westport		
Observed by:	Wayne D'Avanzo		
Test Hole 1:	0-9" Topsoil 9-47" Light Brown Gravel and Silt Ground Water @ 45" Motting @ 27" No Ledge Roots to 29"		
Test Hole 2:	0-7" Topsoil 7-60" Light Brown Gravel and Silt Ground Water @ 56" Motting @ 39" No Ledge Roots to 35"		

Conducted by:	Wayne D'Avanzo	Project:	2185
Location:	1A Plunkett Place	Town:	Westport
Client:	ELR Morgan LLC	Date:	5/8/2023

Weather conditions prior to and during tests:
Clear

Single Lot:	X	Subdivision:	
Diameter of Hole:	8"	Depth of Hole:	24"

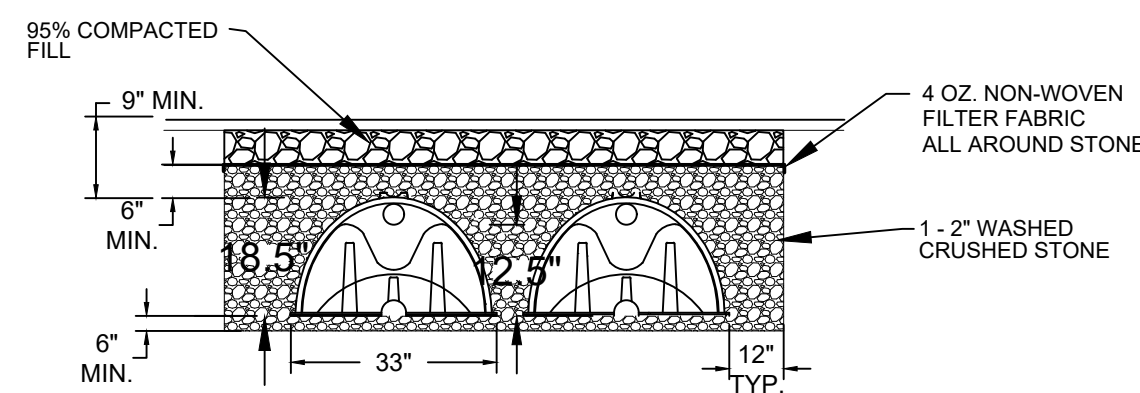
PT-1 Pre-soak @ 9:00 AM Design 2.0"/hr (1.5 F.S.)

Time	Time Increment	Depth to Water	Drop in inches	Soil Percolation Rate Time to drop 1 inch
10:00 AM	---	3 5/8"	---	---
10:10 AM	10 Min.	7 5/8"	4"	2.5 Min.
10:20 AM	10 Min.	10 1/8"	2 1/2"	4.0 Min.
10:30 AM	10 Min.	11 7/8"	1 3/4"	5.7 Min.
10:40 AM	10 Min.	12 7/8"	1"	10.0 Min.
10:50 AM	10 Min.	13 5/8"	3/4"	13.3 Min.
11:00 AM	10 Min.	14 1/8"	1/2"	20.0 Min.

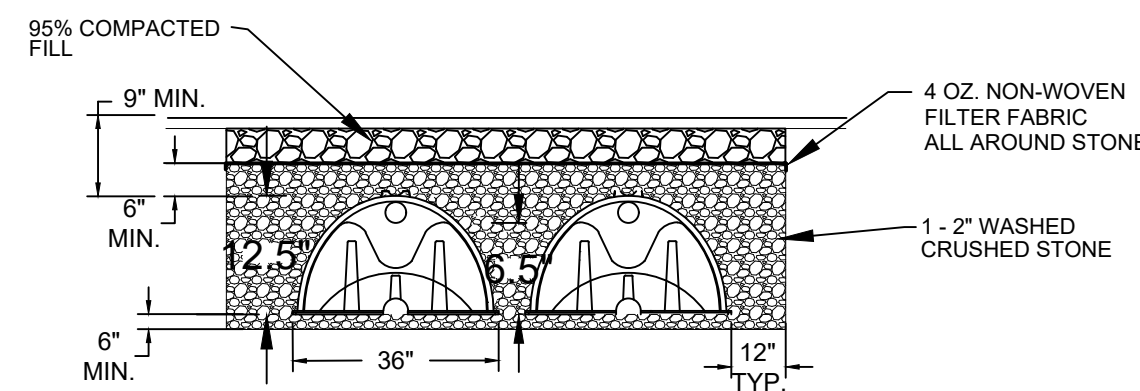
Single Lot:	X	Subdivision:	
Diameter of Hole:	8"	Depth of Hole:	25"

PT-2 Pre-soak @ 9:05 AM Design 2.0"/hr (1.5 F.S.)

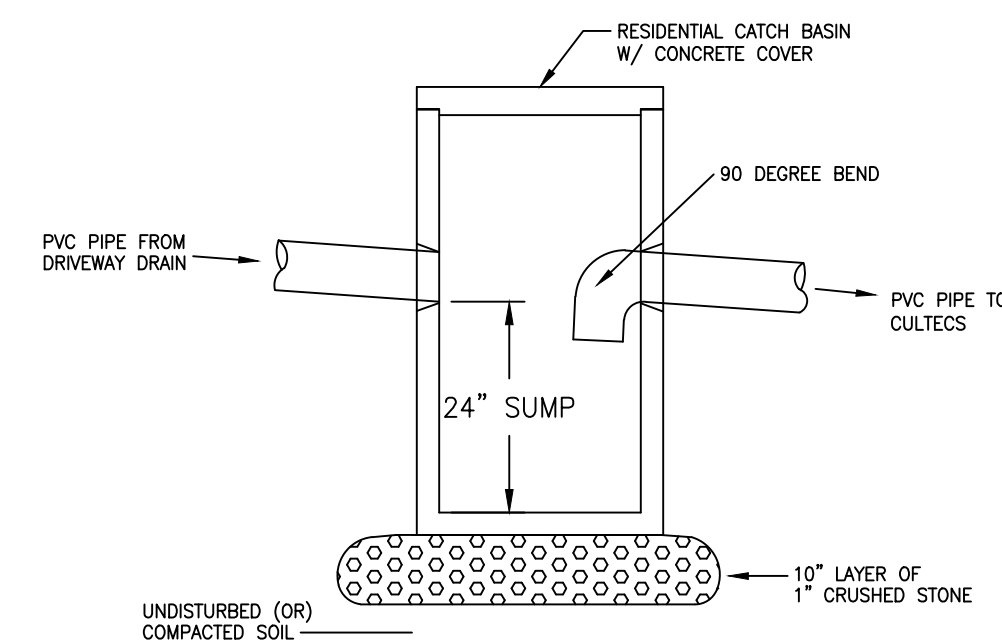
Time	Time Increment	Depth to Water	Drop in inches	Soil Percolation Rate Time to drop 1 inch
10:05 AM	---	5 3/4"	---	---
10:15 AM	10 Min.	9 1/2"	3 3/4"	2.7 Min.
10:25 AM	10 Min.	11 3/4"	2 1/4"	4.4 Min.
10:35 AM	10 Min.	13 1/2"	1 3/4"	5.7 Min.
10:45 AM	10 Min.	14 5/8"	1 1/8"	8.9 Min.
10:55 AM	10 Min.	15 3/8"	3/4"	13.3 Min.
11:05 AM	10 Min.	15 7/8"	1/2"	20.0 Min.



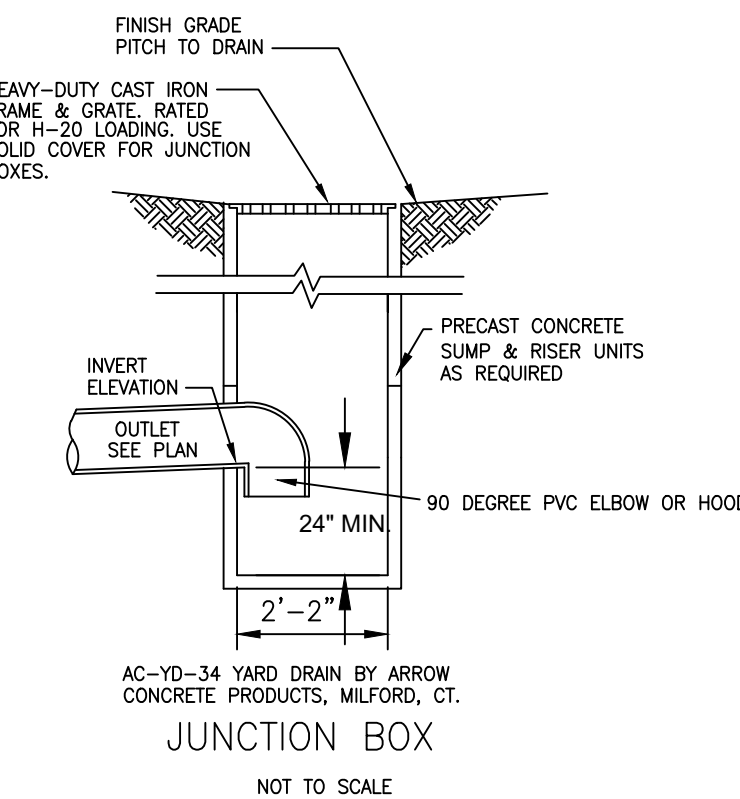
CULTEC RECHARGER 150XLHD TYPICAL CROSS SECTION



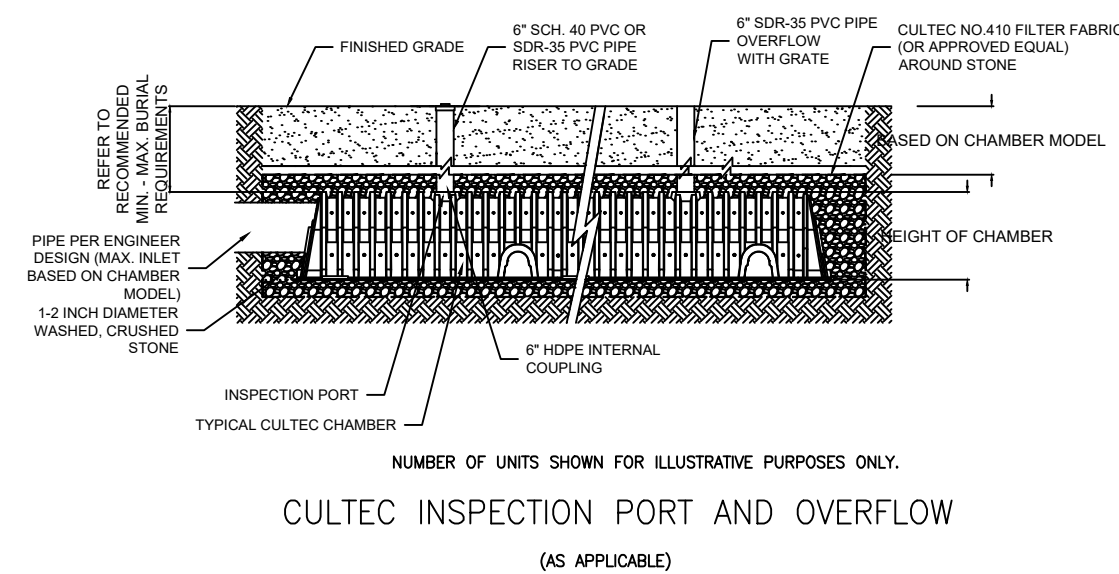
CULTEC CONTRACTOR C-100 TYPICAL CROSS SECTION



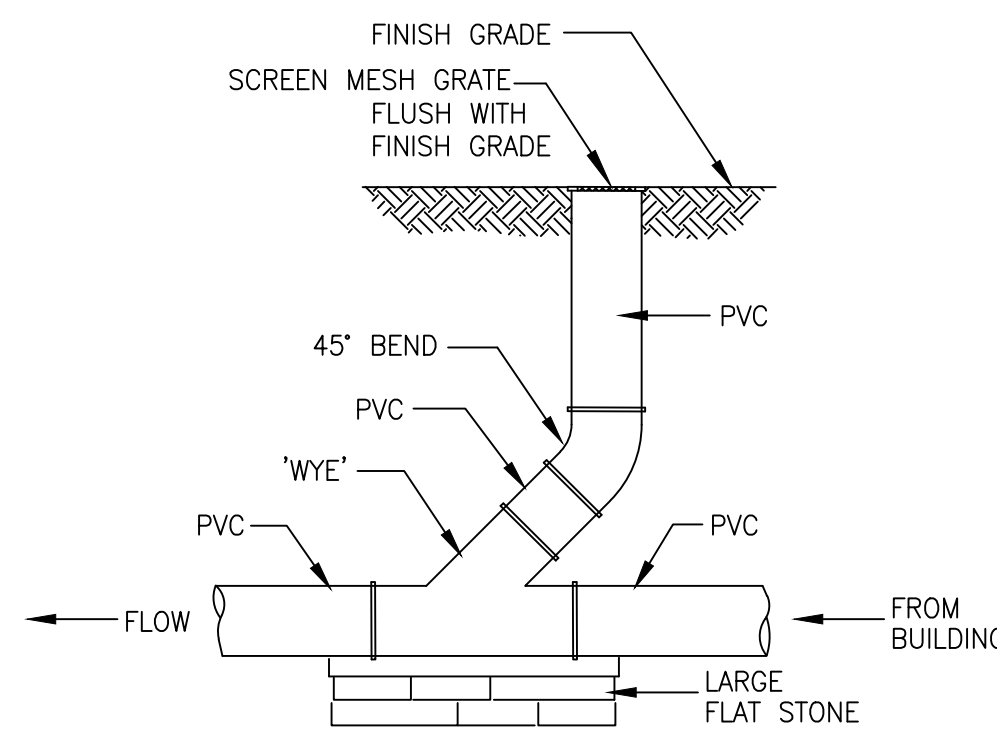
COARSE PARTICLE SEPARATOR NOT TO SCALE



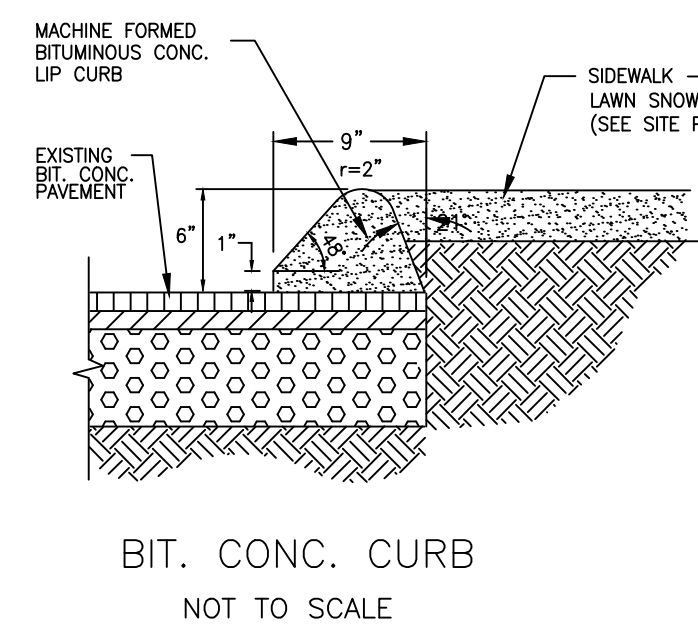
JUNCTION BOX NOT TO SCALE



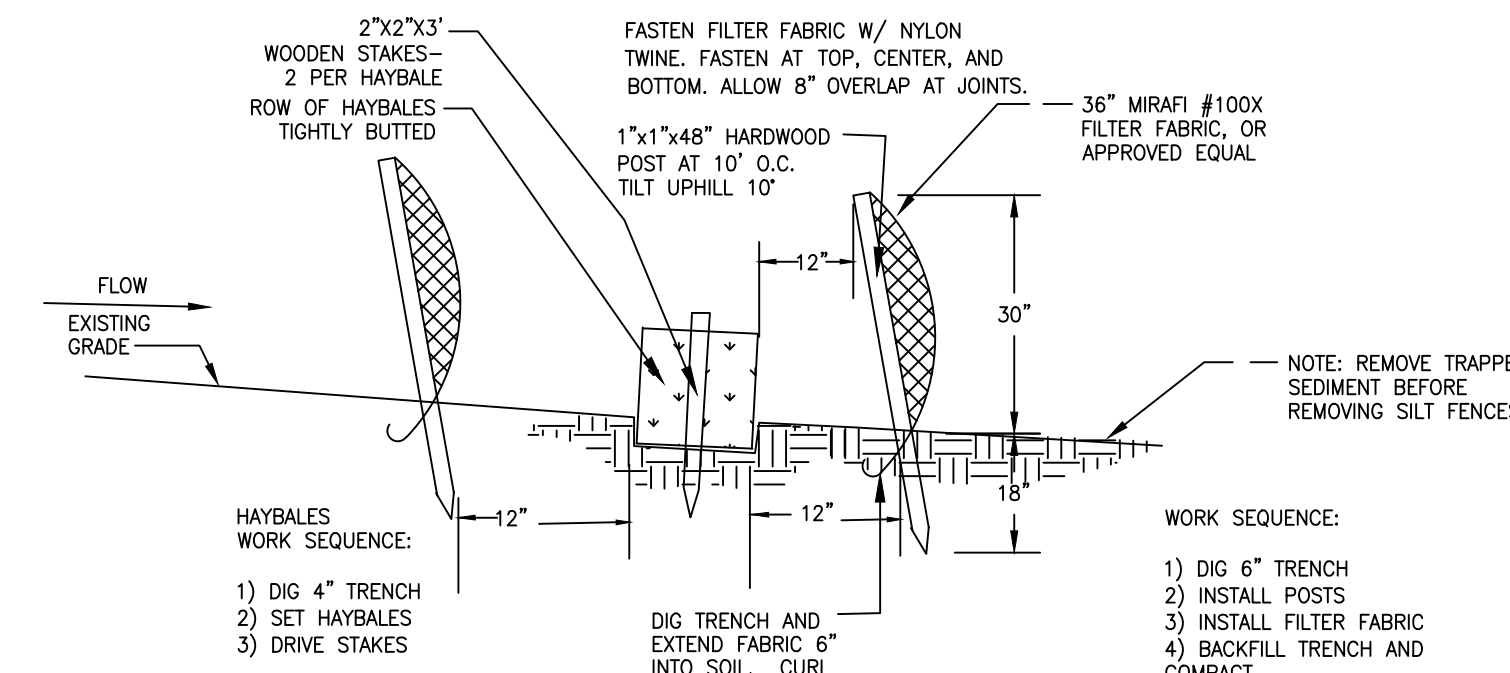
CULTEC INSPECTION PORT AND OVERFLOW (AS APPLICABLE)



TYPICAL CLEANOUT NOT TO SCALE

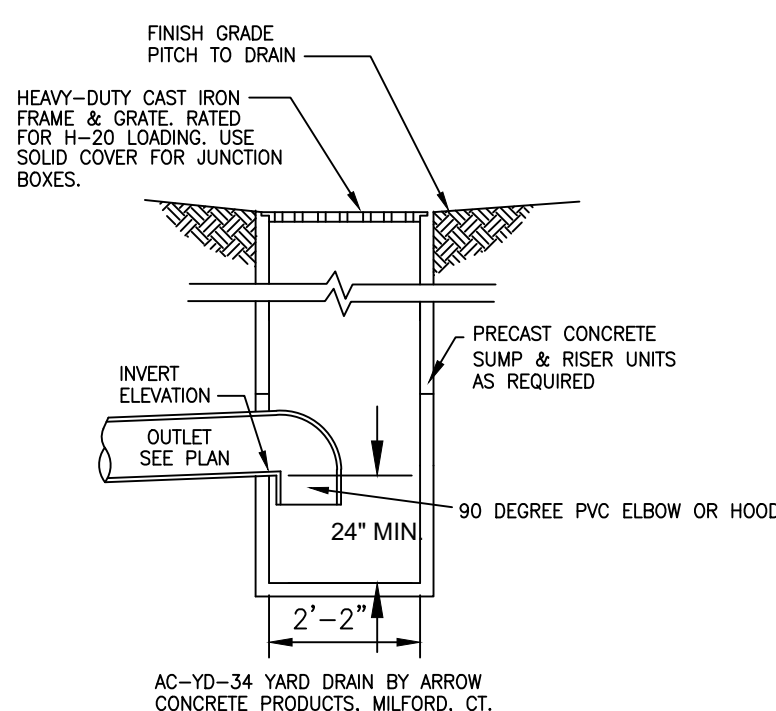


BIT. CONC. CURB NOT TO SCALE

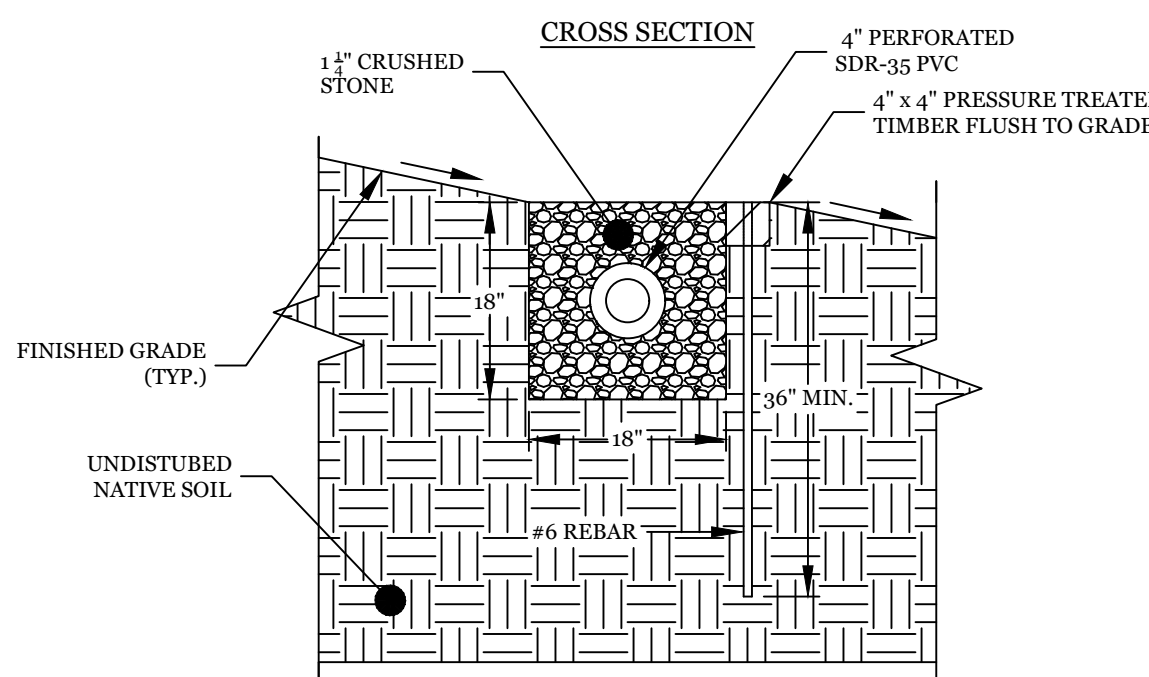


WORK SEQUENCE:

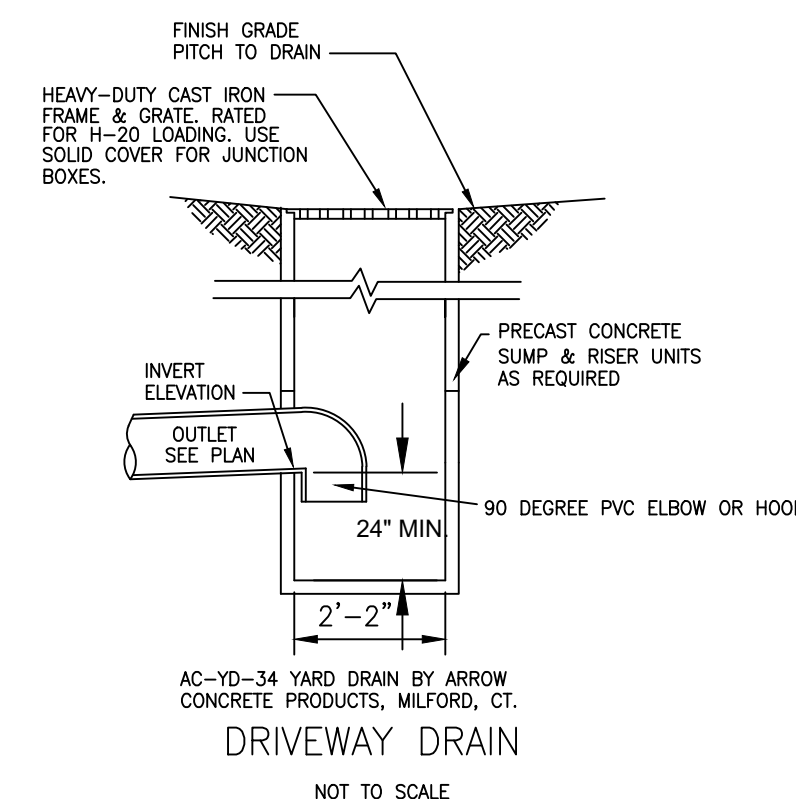
- 1) DIG 6" TRENCH
- 2) INSTALL POSTS
- 3) INSTALL FILTER FABRIC
- 4) BACKFILL TRENCH AND COMPACT



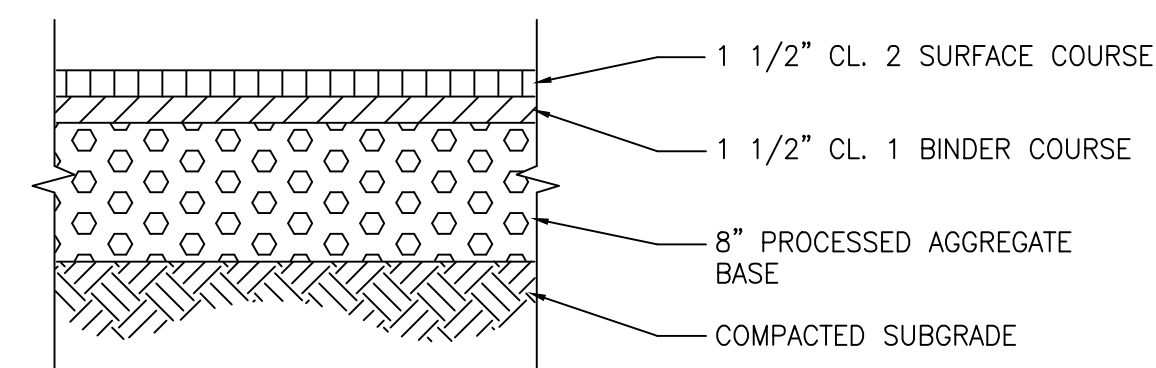
OVERFLOW CONTROL STRUCTURE NOT TO SCALE



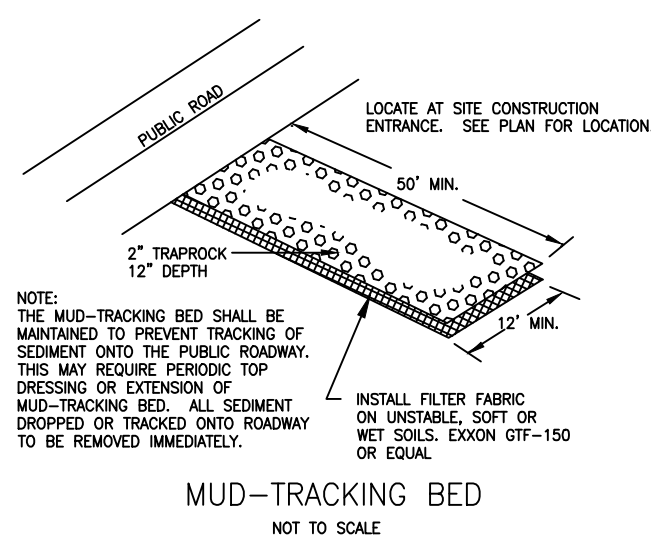
CROSS SECTION



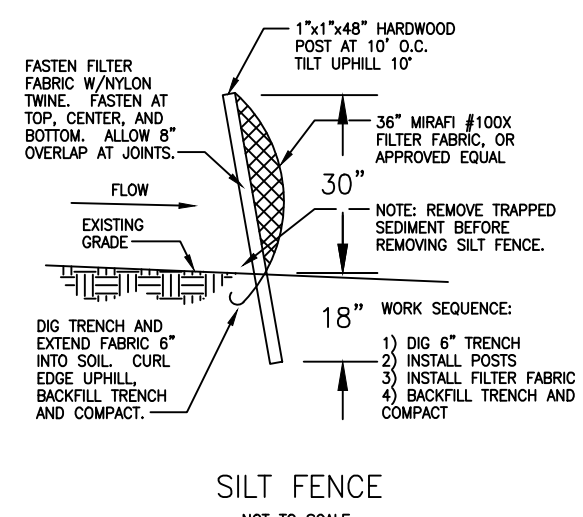
DRIVEWAY DRAIN NOT TO SCALE



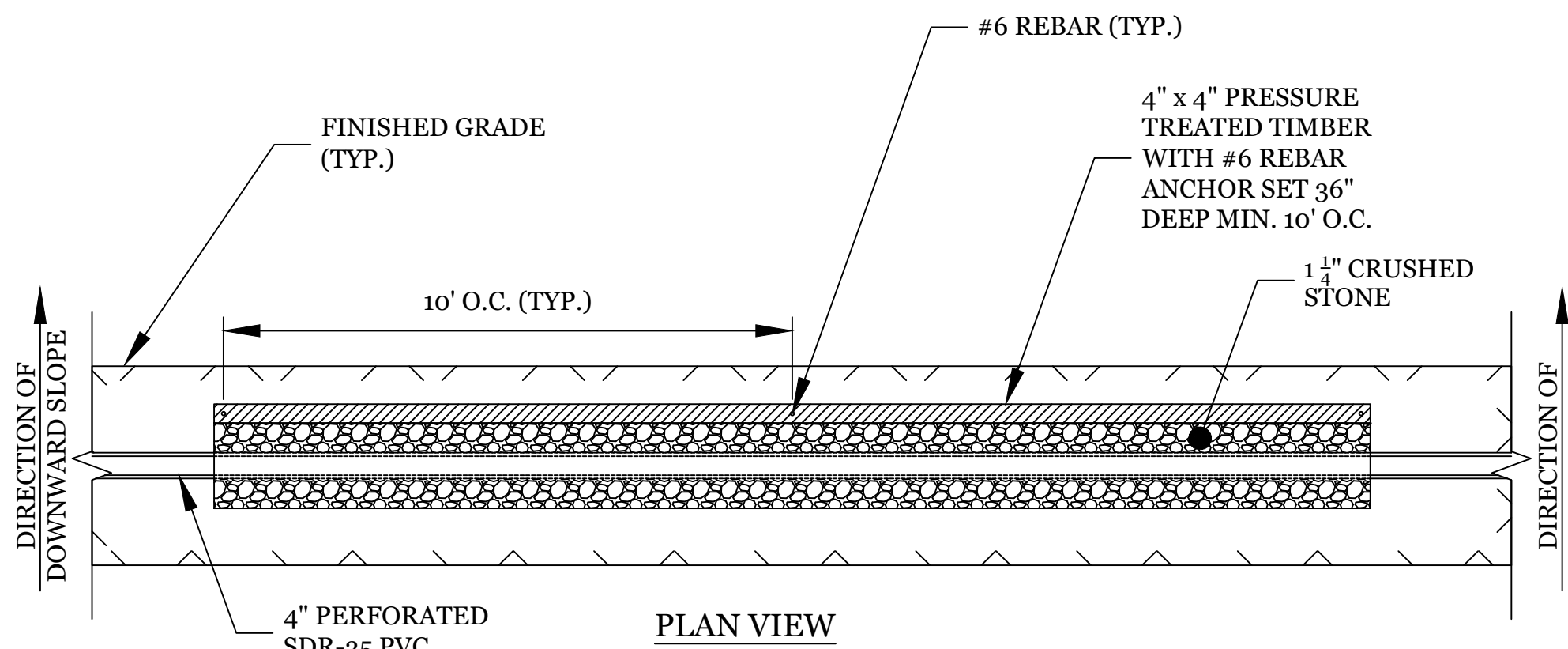
DRIVEWAY PAVEMENT NOT TO SCALE



MUD-TRACKING BED NOT TO SCALE



SILT FENCE NOT TO SCALE



PLAN VIEW



REV. 7/17/23: PER DPW COMMENTS.
REV. 7/11/23: PER DPW COMMENTS.
REV. 5/10/23: CULTecs REVISED.

ELR MORGAN LLC

1A PLUNKETT PLACE WESTPORT, CONNECTICUT

DETAIL SHEET

CIVIL ENGINEERS

2185 project

FAIRFIELD COUNTY ENGINEERING L.L.C.

2 OF 2 sheet

60 WINFIELD STREET, NORWALK, CONNECTICUT 06855 PH: (203) 831-8005 FAX: (203) 831-8006