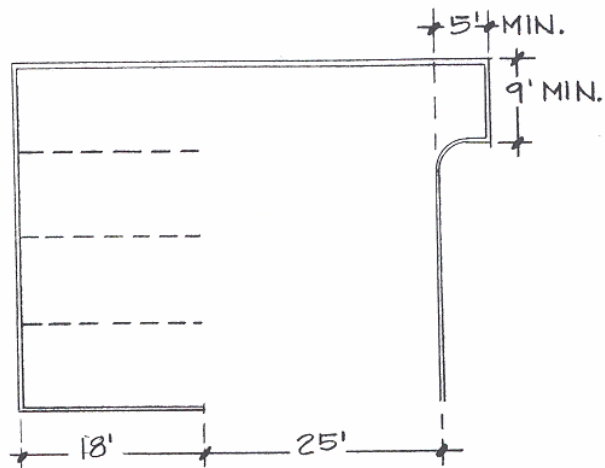
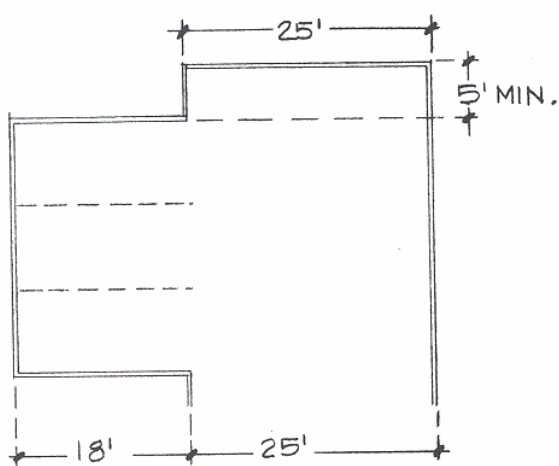
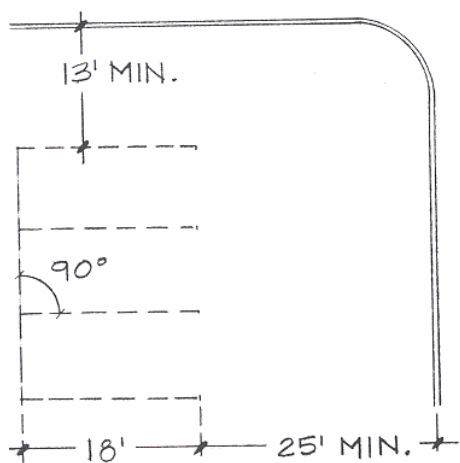


DESIGN STANDARDS FOR OFF-STREET PARKING AND LOADING

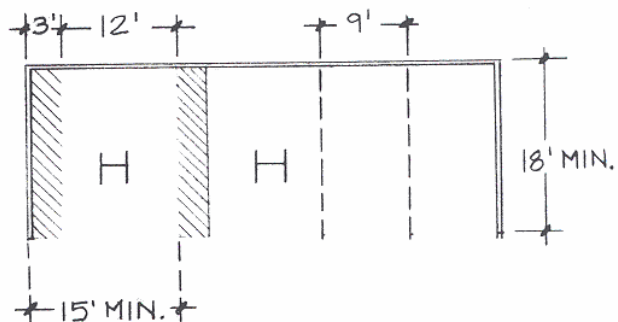
TYPICAL DEAD-END BAYS



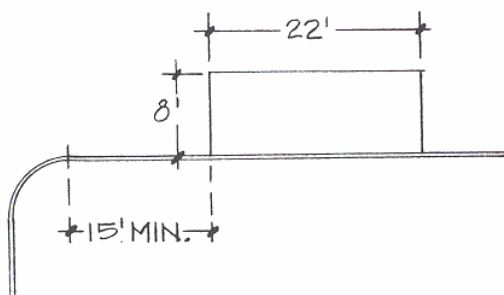
INTERIOR AISLE WIDTHS



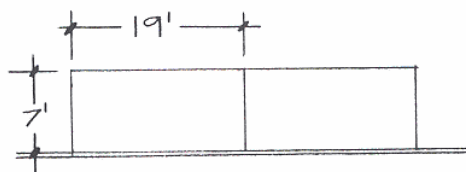
HANDICAPPED STALLS



PARALLEL SPACE STANDARD



PARALLEL SPACE SMALL



SCALE: 20:1